



SD 600 Microprocessor Indicator



Feature:

- **0.8" Large LED Display.**
- T/C, RTD, Linear Input selection.
- Universal Power supply : 90-264V AC, 50/60Hz. DC / AC 24V is also available for option.
- 3 Alarm output. (note 1)
- Standby and Latch mode can be combined with 8 different alarm function.
- Retransmission or RS-485 communication(MODBUS RTU) is available for option.

Note1: 2nd and 3rd Alarm are available for option.



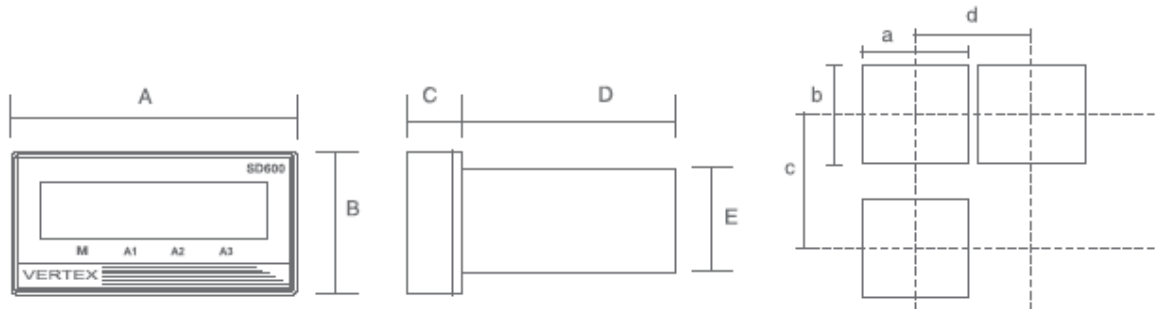
SD-600

Specifications	
Input	Thermocouple: J, K, T, E, B, R, S, N, C
	RTD: DIN PT-100; JIS PT-100
	Linear: 4~20mA; 0~50mV; 1~5V; 0~10V...
Accuracy	T/C \pm 1 °C; RTD \pm 0.2 °C; Linear \pm 3 μ V
Sampling Time	0.5 sec.
Control	P Control: Proportional Band: 0.0~300.0% F.S
	ON / OFF Control: Hysteresis 0~2000
Cycle Time (0~100)	Relay 15 sec.
	Current Output (SSR) 1 sec.
	Continuous Current (Voltage): 0 sec.
Output	Relay Contact Output: 10A/ 240 VAC (Resistive load)
	Pulsed Voltage Output to Drive SSR: DC 0/24V (Resistive 250 Ω min.)
	Current Output: 4~20mA; (Resistive 600 Ω max.)
	Continuous Voltage Output: 0~50mV; 1~5V; 0~10V... (Resistive 600 Ω min.)
General	Rated Voltage: AC 90~264VAC 50 / 60Hz; DC 24V
	Ambient Temperature: 0~50 °C
	Ambient Humidity: 0~90 %
	Consumption: Less than 3VA

Input		
Type	Temperature	Range
J	-50 °C ~ 1000 °C	-58 °F~ 1832 °F
K	-50 °C ~ 1370 °C	-58 °F~ 2498 °F
T	-270 °C ~ 400 °C	-454 °F~ 752 °F
E	-50 °C ~ 750 °C	-58 °F~ 1382 °F
B	0 °C ~ 1800 °C	32 °F~ 3272 °F
R	0 °C ~ 1750 °C	32 °F~ 3182 °F
S	0 °C ~ 1750 °C	32 °F~ 3182 °F
N	-50 °C ~ 1300 °C	-58 °F~ 2372 °F
C	-50 °C ~ 1800 °C	-58 °F~ 3272 °F
DPT	-200 °C ~ 850 °C	-328 °F~ 1652 °F
JPT	-200 °C ~ 650 °C	-328 °F~ 1202 °F
LINE		-1999 ~ 9999

Alarm Function	
PV High Alarm	PV Low Alarm
Deviation High Alarm	Deviation Low Alarm
Band High Alarm	Band Low Alarm
PV High Alarm with Delay Time	PV Low Alarm with Delay Time

Dimension



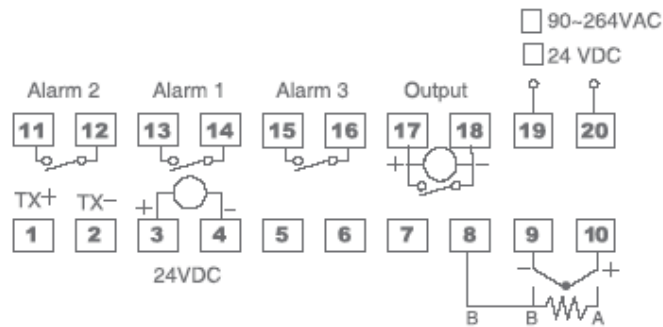
(Unit: mm)

PANEL CUTOUT :

Model	A	B	C	D	E	a	b	c	d
SD600	96	48	9	80	45	92 ^{+0.5}	45 ^{+0.5}	48	120

Wiring Diagram

SD600



Ordering Information

Input	Code	Output	Code	Alarm	Code	Control	Code	Selection	Code	Power Supply	Code
Thermocouple	T	Relay	R	1 Alarm	1	ON/OFF	O	None	N	AC 90-264V	A
RTD	D	4-20mA DC	M	2 Alarm	2	P	P	Retransmission	R	50/60 Hz	
Linear	L	Continuous Voltage	V	3 Alarm	3			RS-485	C	DC 24V	D