



ML Series Miniature ø66mm Signal Light

Features (특징)

- ø 66 mm lens diameter
- Rotating, flashing and strobe models
- Stud or pole mounting
- 4 lens colors available
- Various operating voltages
- Incandescent or Xenon bulb

- ø 66mm 투광렌즈 적용
- 반사회전 타입, 전구점멸 타입, 크세논점멸 타입
- 편리한 취부고정구
- 4가지 색상의 투광렌즈
- 다양한 전압사양
- 장시간 수명의 전구



Ordering information (표준주문사양)

ML G F 110 R

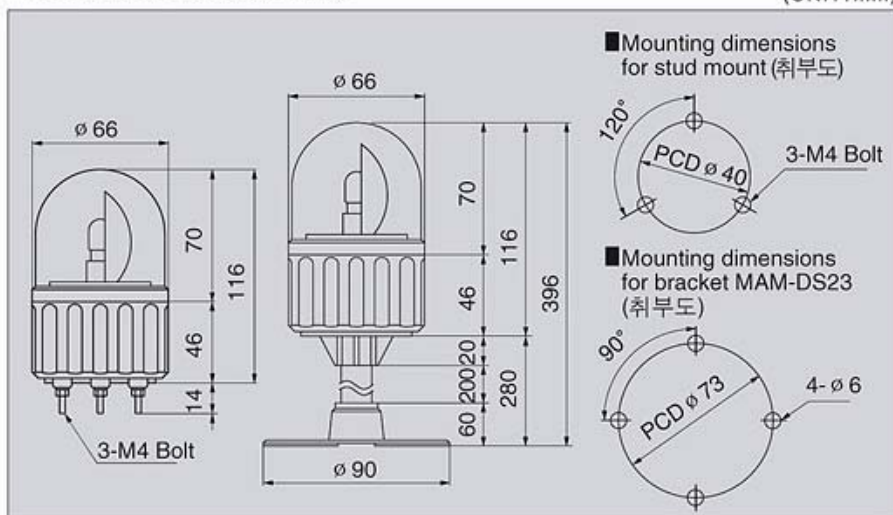
① ② ③ ④ ⑤

①	ML	ø 66mm Signal Light
②	G	Stud mount
	P	Pole mount
③		Rotating mirror
	F	Flashing light
	S	Strobe light
④	01	12 VDC
	02	24 VDC
	10	110 VAC
	20	220 VAC
⑤	R	Red lens
	G	Green lens
	Y	Yellow lens
	B	Blue lens

Specifications (전기적사양)

Series	MLG / MLP	MLGF / MLPF	MLGS / MLPS
Power supply	12V DC, 24V DC, 110V AC, 220V AC		110V AC, 220V AC
Lens type	Smooth type		Prism and Smooth type
Lens color	Red, Green, Yellow, Blue		
Rotation rate	130 / min		
Flash rate			80 / min
Internal buzzer	Not available		
Current consumption	12VDC : 0.7A 110VAC : 0.07A	24VDC : 0.3A 220VAC : 0.03A	110VAC : 0.22A 220VAC : 0.11A
Bulb type	Incandescent (전구형)		Xenon (크세논형)
Bulb voltage and wattage	12VDC : 12V 8W 110VAC : 110V 8W	24VDC : 24V 8W 220VAC : 220V 8W	6W
Termination	Wire leads		

Dimensions (외형치수도)



Connections (결선도)

